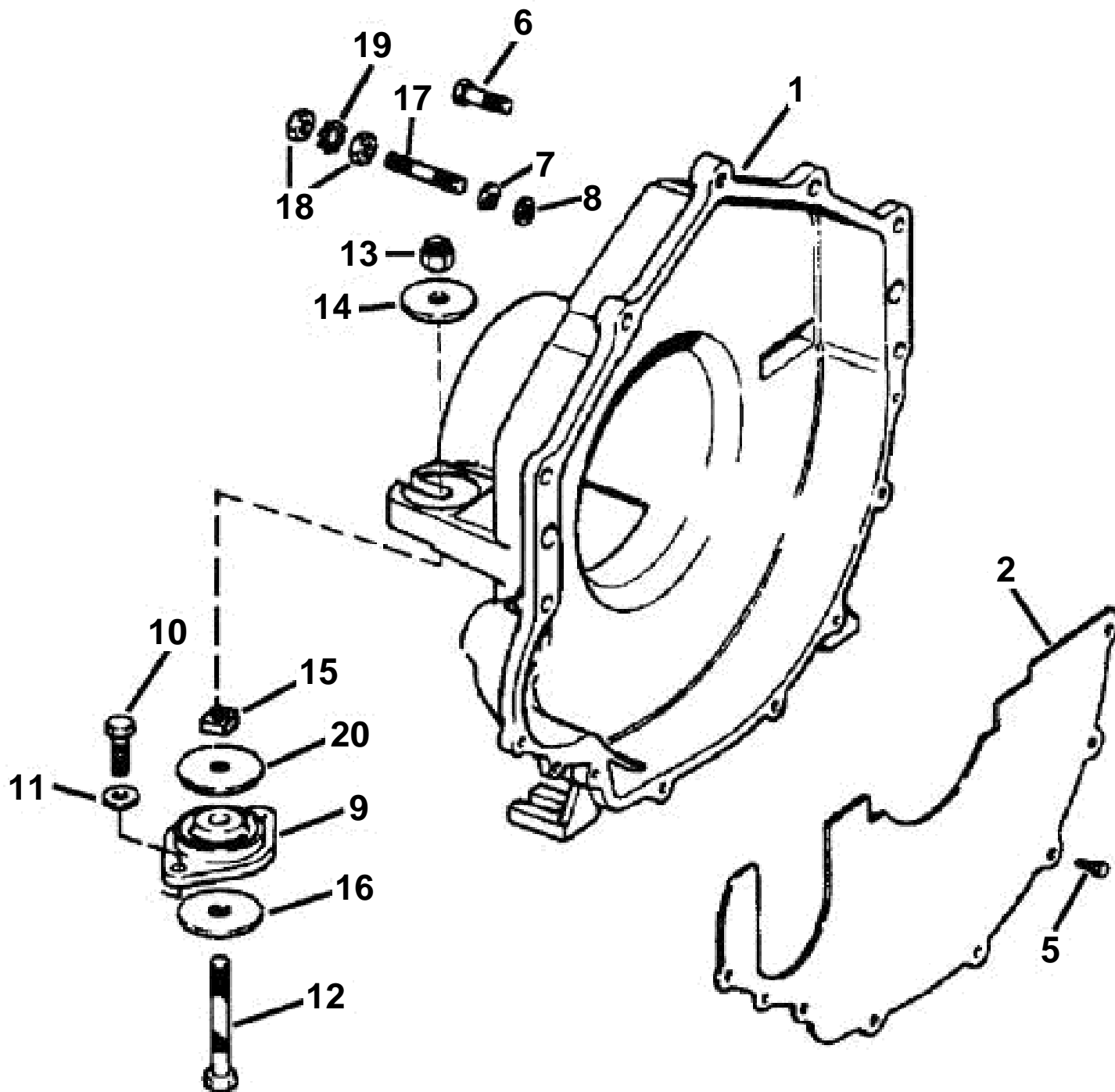


FLYWHEEL HOUSING AND MOUNTS



FLYWHEEL HOUSING AND MOUNTS

REF	PART NO.	QTY	DESCRIPTION	NOTES
1	3853457	1	Flywheel housing	
2	3857344	1	Cover, Flywheel	
5	3852421	4	Screw, Flywheel cover to hsg	
6	3853326	4	Screw, Flywheel hsg to engine	
7	3852002	1	Lock washer, Ground stud, flywheel hsg	Starboard
8	3852058	1	Washer, Ground stud, flywheel hsg	
9	3853806	1	Rubber cushion	
10	959968	4	Screw, Rear mount to transom plate	
11	3852155	4	Washer, Rear mount to transom plate	
12	3850930	2	Screw, Rear mount	
13	3850929	2	Nut, Rear mount	
14	3852540	2	Washer, Rear mount to flywheel hsg	
15	3852539	2	Nut	
16	3852542	2	Washer	
17	3850571	1	Stud, Flywheel hsg to engine	Ground
18	3852065	2	Nut, Terminal to ground stud, flywheel hsg	
19	3852070	1	Washer, Ground stud, flywheel hsg	Starboard
20	3852622	2	Washer, Rear mount	